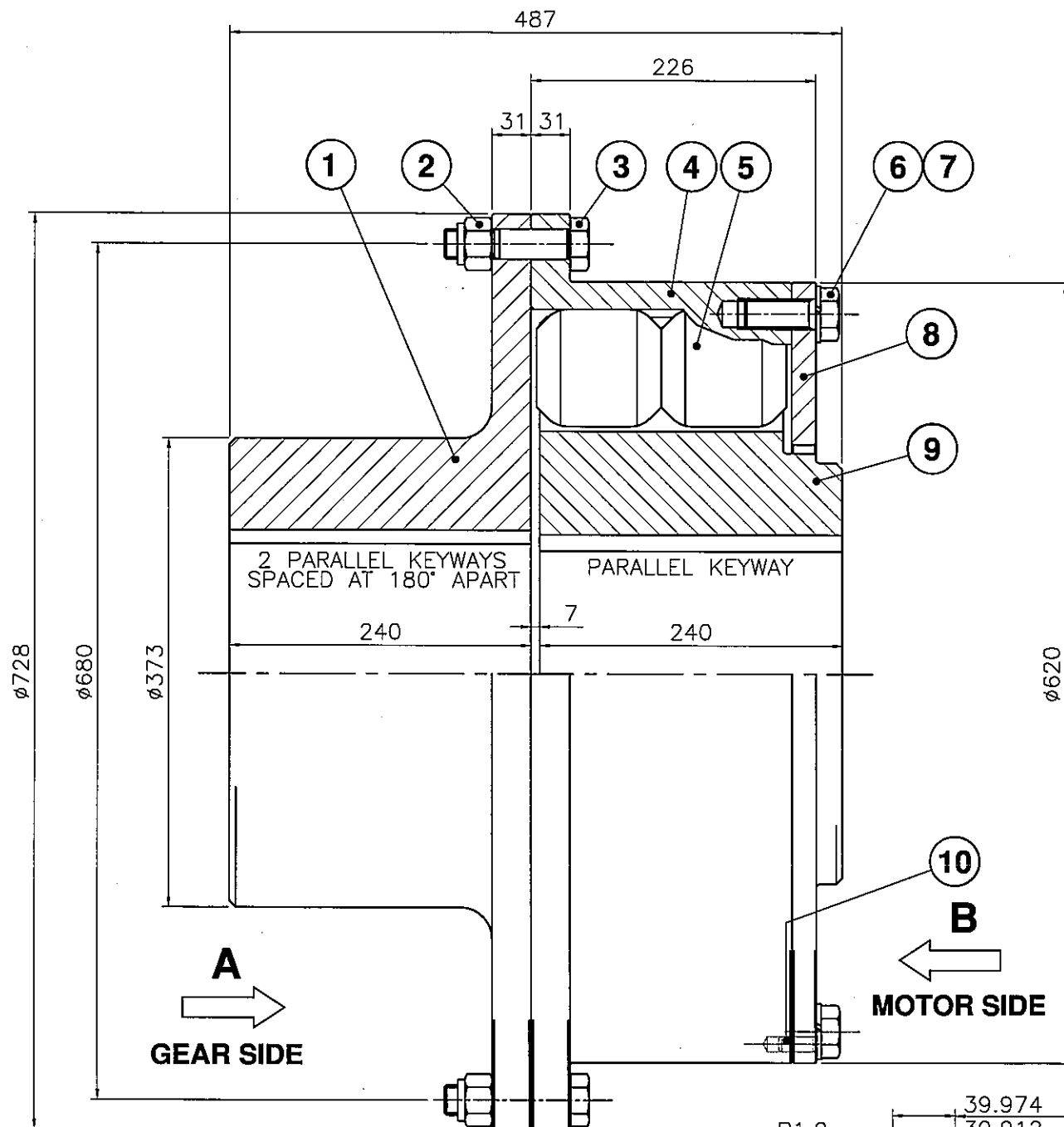
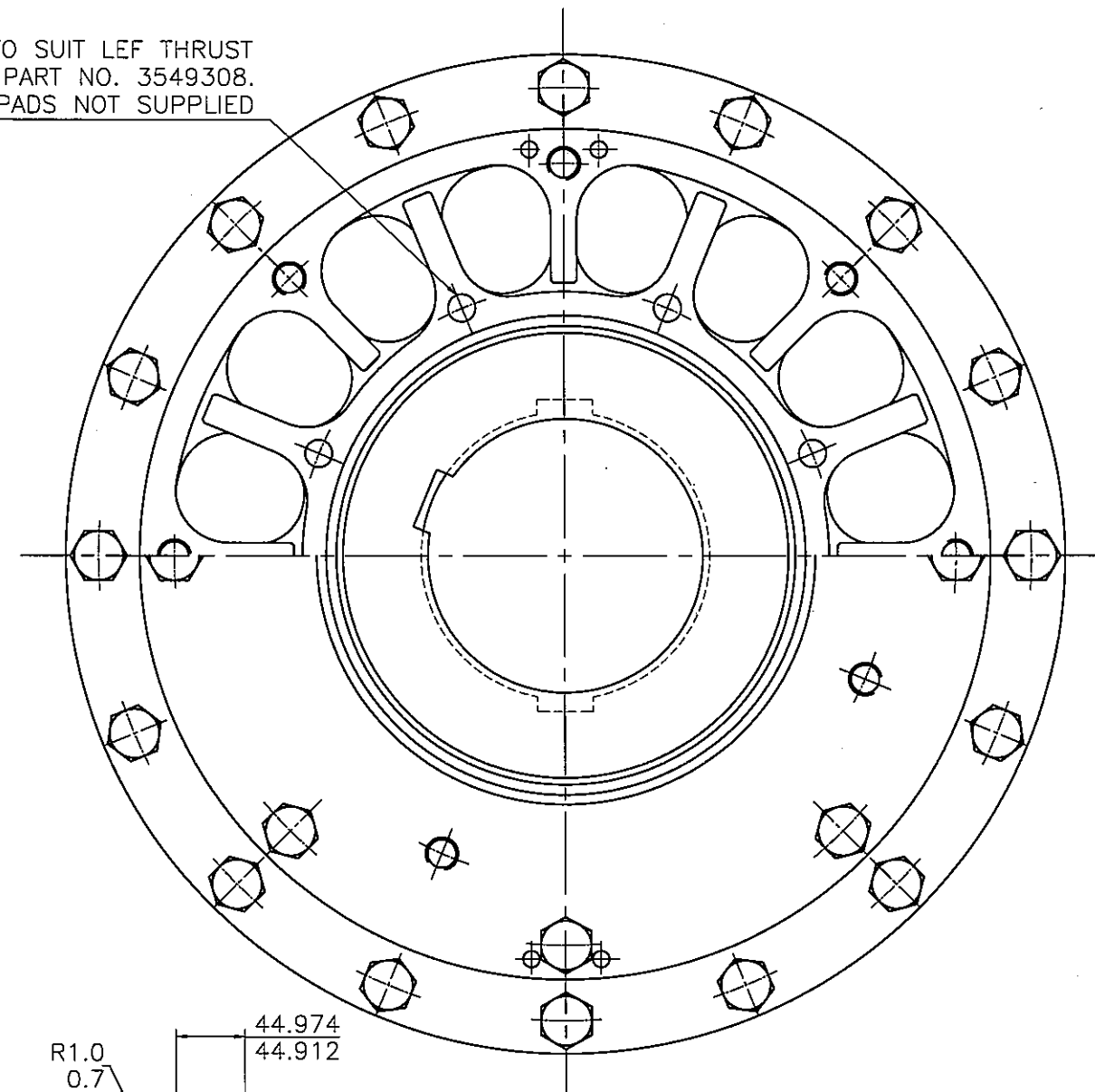


**WEIGHTS**  
 OUTER MASSES :- 387 Kg  
 INNER MASSES :- 191 Kg  
 TOTAL :- 578 Kg

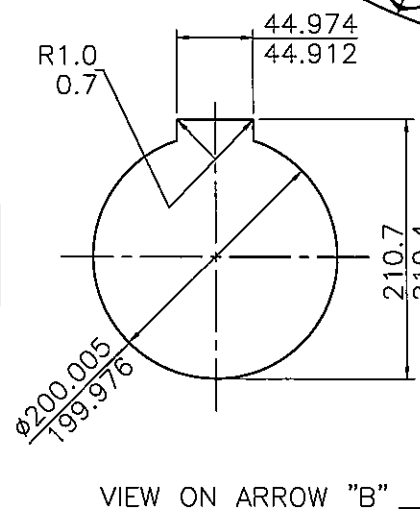
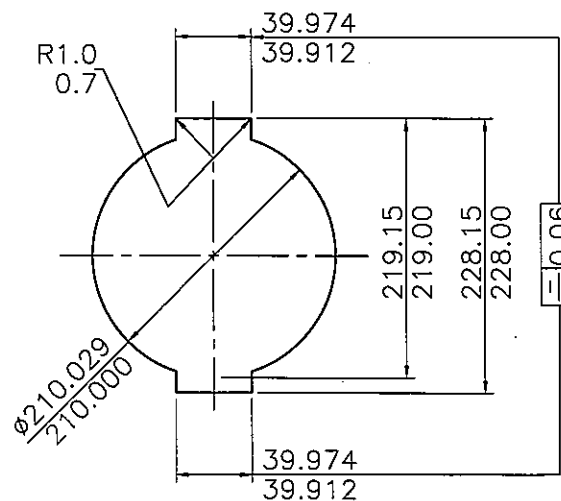
**INERTIAS**  
 OUTER MASSES :- 23.25 Kg m<sup>2</sup>  
 INNER MASSES :- 5.330 Kg m<sup>2</sup>



HOLES TO SUIT LEF THRUST PADS PART NO. 3549308. THRUST PADS NOT SUPPLIED



VIEW ON ARROW "B"  
 COVER PART REMOVED



STAMP ON THE DRIVING FLANGE AND OUTER MEMBER:- 16010316 FLANGE FACES

10	3542571	SPRING DOWEL	2	Ø12 X 30 L	DIN 1481
9	3596779	INNER MEMBER	1	CAST STEEL	E4-01-180 BS 3100 GRADE A4
8	3541429	COVER	1	MILD STEEL	E4-01-128 BS EN 10025 GRADE S275
7	3507445	SETSCREW	8	M24 X 60 L	TORQUE TIGHTEN TO 625 NM
6	37136	LOCKWASHER	8	Ø24	.
5	3563649	MOULDED BLOCK	32	RUBBER	GRADE REF :- SM80
4	3541427	OUTER MEMBER	1	CAST STEEL	E4-01-180 BS 3100 GRADE A4
3	3508395	FITTED BOLT	16	Ø25-M24	TORQUE TIGHTEN TO 625 NM
2	43535	NYLOC NUT	16	.	REF :- PP/Y246
1	3589143	DRIVING FLANGE	1	CAST STEEL	E4-01-180 BS 3100 GRADE A4
Item	Drg.No.	Description	NO. Off	Material	Remarks

**RENOLD HITEC Couplings**  
 CERTIFIED DRAWING

DRAWING No. : 3591102/00/404  
 DATE : 18th August 2008  
 ORDER No. : SO-055680 L01  
 CLIENT REF. : 667/750778 ITEM 1

**RENOLD HITEC Couplings**

ITEM NAME		ARRANGEMENT	
IDENTIFIER		PM130 COUPLING SHAFT TO SHAFT C/W LEF	
SCALE	DRAWING NO.	REVISION	
	3591102/00/404	00	A1

MATERIAL	MATL.SPEC.
MATERIAL	MATL.DRG.NO.
DATE	15/08/2008

© THIS DOCUMENT AND THE COPYRIGHT HEREIN ARE THE PROPERTY OF RENOLD HITEC COUPLINGS AND MAY NOT BE COPIED OR USED FOR ANY PURPOSE WITHOUT THE PRIOR WRITTEN CONSENT OF RENOLD HITEC COUPLINGS.