

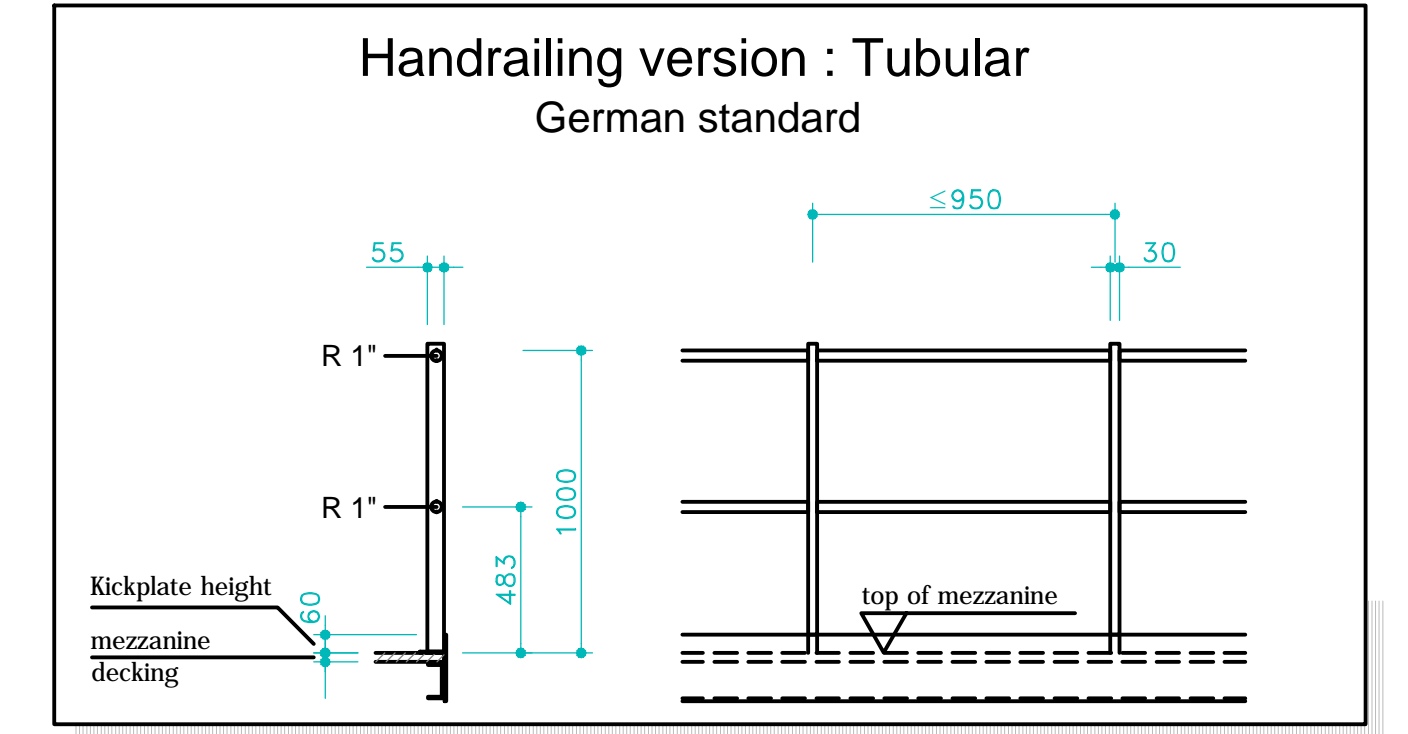
**Acceptance / Approval**  
 Following a detailed review we hereby confirm that this drawing is in accordance with contractual agreements and is accepted without modifications. You are authorized to start design engineering and production immediately.

\_\_\_\_\_  
 company stamp      place, date      authorized signature

**SCHÄFER**

Multi-level installation with mezzanine  
 order-nr.: 1866455      installed: 2014  
 max. load capacity by uniformly distributed load:  
 main aisles: 800 kg/sqm      picking aisles: 300 kg/sqm  
 shelving type: R3000      dividing shelf: 100/150/200kgs  
 bay load: 2800 kgs  
 Manufacturer Fritz Schäfer GmbH D-57299 Neukirchen/Germany

Section A-A according drawing nr.: 01-0146813-10004



The modular shelving mezzanine is designed for further extension of 3th mezzanine level and 4th racking level, upper edge 3th mezzanine level = +8089 mm (load situation identical with 1st and 2nd mezzanine levels)

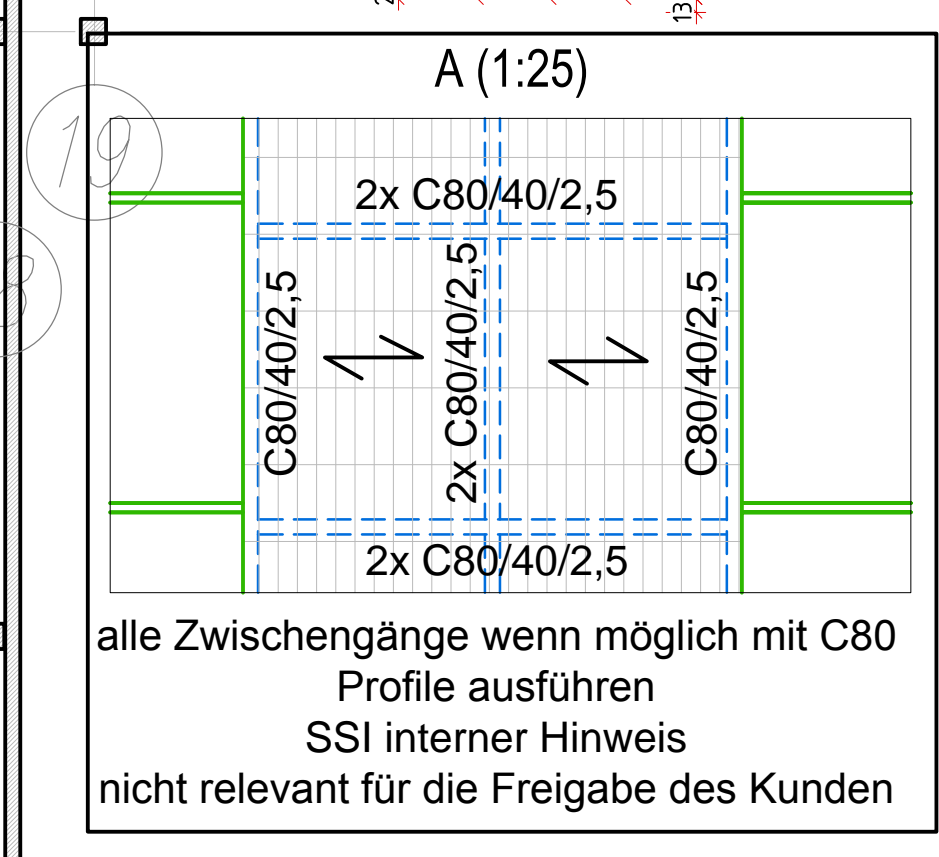
RWG = Mesh back panel  
 RWA = Outer back panel  
 SWI = Side panel  
 SWA = Outer side panel  
 KV = SSI-cross brace

Picking aisles are designed for picking trolleys traffic, max. 300 kg per trolley

# = rack frames only in 1st. rack level  
 height = 2384 mm (not mezzanine supporting)

Mezzanine covering  
 Main aisle: Mesh gratings 44x11 mm,  
 Picking aisle: Mesh grating 44x11 mm,  
 height = 30 mm

All non-galvanized mezzanine Parts are painted silver-grey RAL7001!



Regaleinrichtung mit Zwischenbühne, R3000  
 Stellplan 1. und 2. Regalebene mit 1. Bühne  
 OK 1. Bühne = +2683 mm

Shelving system with mezzanine, R3000 layout  
 1st and 2nd level with 1st mezzanine. FFL 1st mezzanine = +2683 mm

u.d. load capacity:	300 kg/m²	steel mesh panels 44x11 mm
main aisle	800 kg/m²	Pallet-gate
picking aisle	300 kg/m²	kick board
bay load/level	700 kg	kick board & hand rail

D Änderung gemäß E-Mail 15.07.2014 E Änderung gemäß E-Mail 10.07.2014 C Änderung gemäß E-Mail 07.07.2014 B Änderung gemäß E-Mail 03.07.2014	16.07.2014 Reichen, Viktor 10.07.2014 Reichen, Viktor 07.07.2014 Reichen, Viktor 03.07.2014 Reichen, Viktor	
175 1866452 000 KRALPH VW R3000 Mezzanine		Status: Name 09.05.2014 Reichen, Viktor 16.07.2014 Reichen, Viktor 08.09.2014
4.4.1 modular shelf mezzanine layout 1st and 2nd level with 1st mezzanine level		<b>SCHÄFER</b> Fritz Schäfer GmbH Fritz Schäfer Str. 28 • D-57299 Neukirchen
01 - 0146813 - 10002 E		